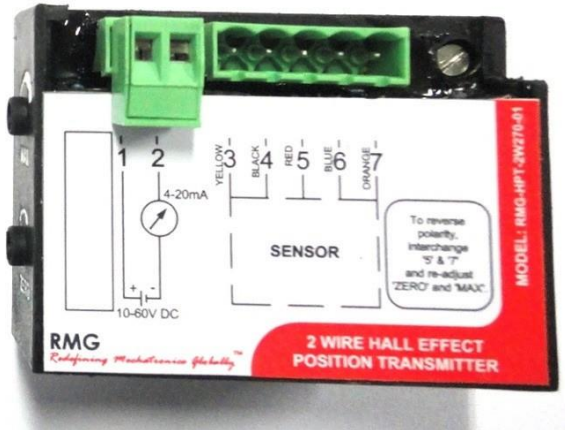


POSITION TRANSMITTER
2 WIRE - HALL EFFECT

MODEL: RMG-HPT-2W270-01



SALIENT FEATURES

- Very High Position accuracy
- Encapsulated –To protect from moisture, vibration and tampering of circuitry
- Operates over a wide temperature range
- Rugged engineering design and packing
- Reverse polarity protected
- Operates over a wide supply voltage range.
- Long term reliability
- Fool proof design
- User friendly controls
- Robust construction
- Competitive pricing

DESCRIPTION

RMG-HPT-2W270-01 is a 2 wire electronic position transmitter capable of transmitting precisely the changes in position. The sensor used, which is a non contact type, is based on Hall Effect. The Sensor block, which contains a Hall sensor and a Permanent magnet, produces a potential difference proportional to the angle of rotation. The current converter block transmits the movement of shaft into linearly varying current output, which can be adjusted using Zero/Span trimpots.

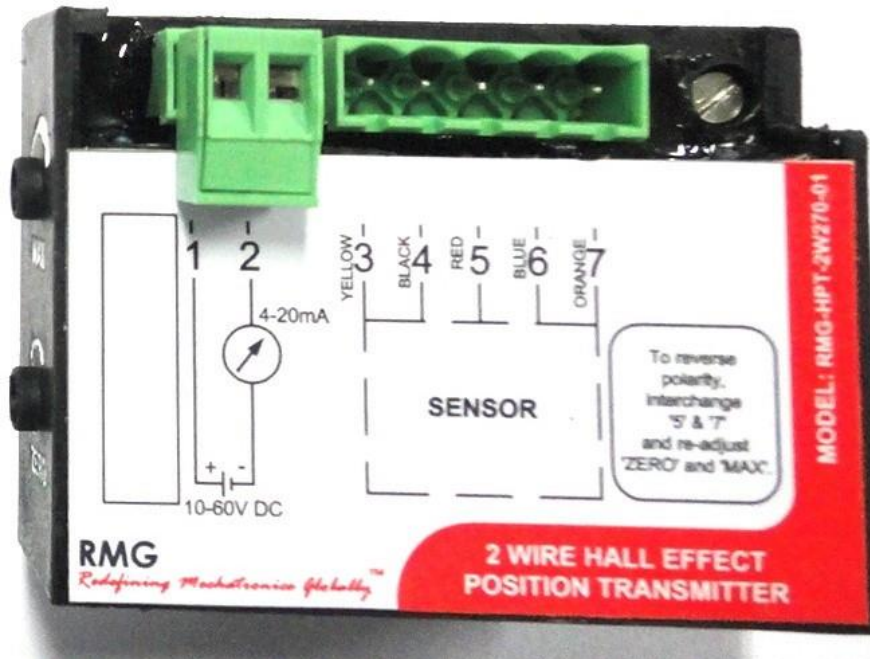
APPLICATION

Used in Electrical Actuators and various process control applications



SPECIFICATIONS

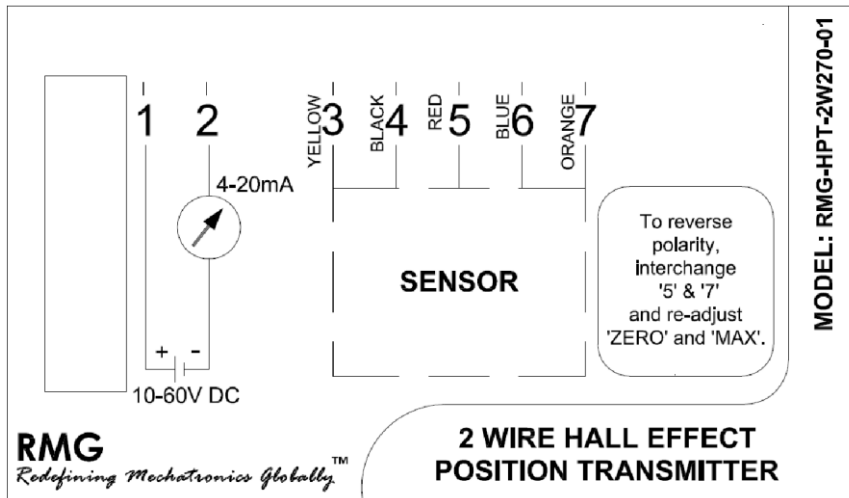
SI No	Characteristics	Specified Value
1	Transducer Configuration	2 Wire
2	Supply Voltage	10V DC to 60V DC
3	Angle of Operation	270° ±20%
4	Influence of Supply Voltage	0.5% of Span
5	Input Transducer	Hall Effect, Non contact
6	Output Current	4.00 mA to 20.00 mA
7	Load Impedance	Max 700Ω at 24V DC
8	Adjustability of Span	+10% , - 30% of Span
9	Adjustability of Zero	+15% , -0.6% of Span
10	Linearity Error	0.5% of Span
11	Hysteresis Error	0.05% of Span
12	Direction Selection	Forward/Reverse, by Interchanging wires.
13	Operating Temperature Range	-20°C to +80°C
14	Effect of Temperature	0.3% / 10 °C
15	Built in Protection	a)Housed in a Glass-filled-nylon G6 enclosure. Epoxy molded for protection from moisture, vibration and tampering of circuitry b)Reverse Polarity Protected
16	Size	72L x 52W x 21H mm
17	Weight	150gm approx
18	Enclosure	Glass filled nylon G6



Corporate Office and Works: RMG Electromech Pvt Ltd, No. 41&42, SMR Layout, 2nd Main, 1st Cross,
Kereguddahalli, Chikkabanavara P.O, Bangalore-560090. Tel: +91-80-23253325/26/27, Mob: +91-9341216734
email:marketing@rmgpl.com, web: www.rmgpl.com

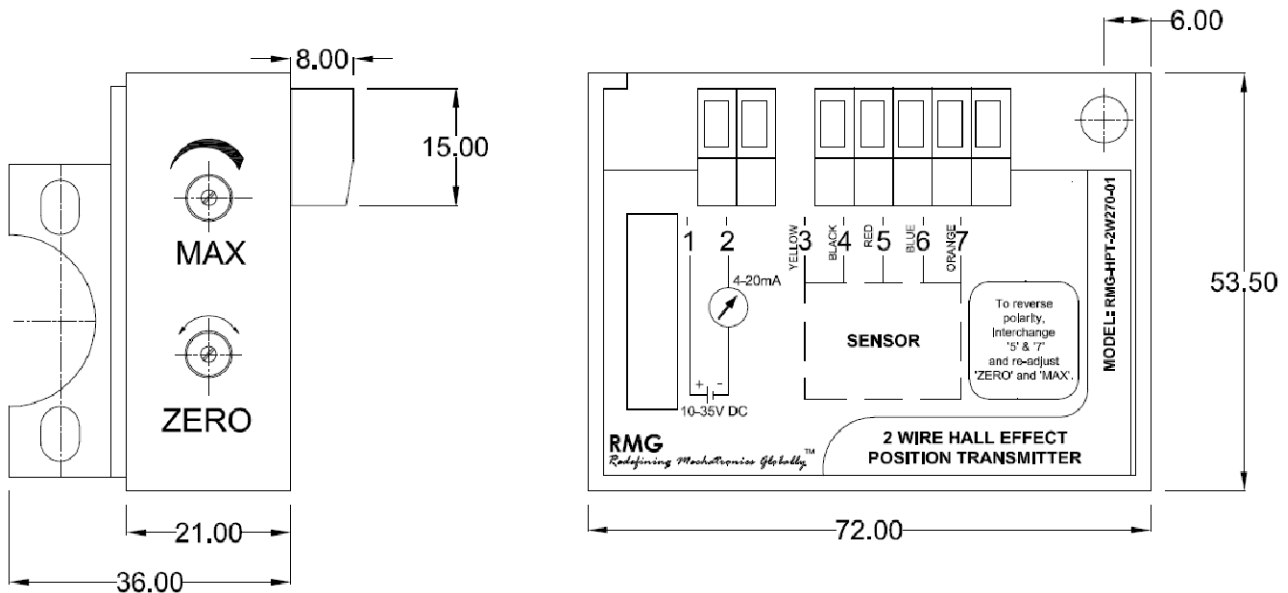
An ISO 9001:2015 Certified Company...OEM Supplier to MNCs since 1990

STICKER & CONNECTION DIAGRAM



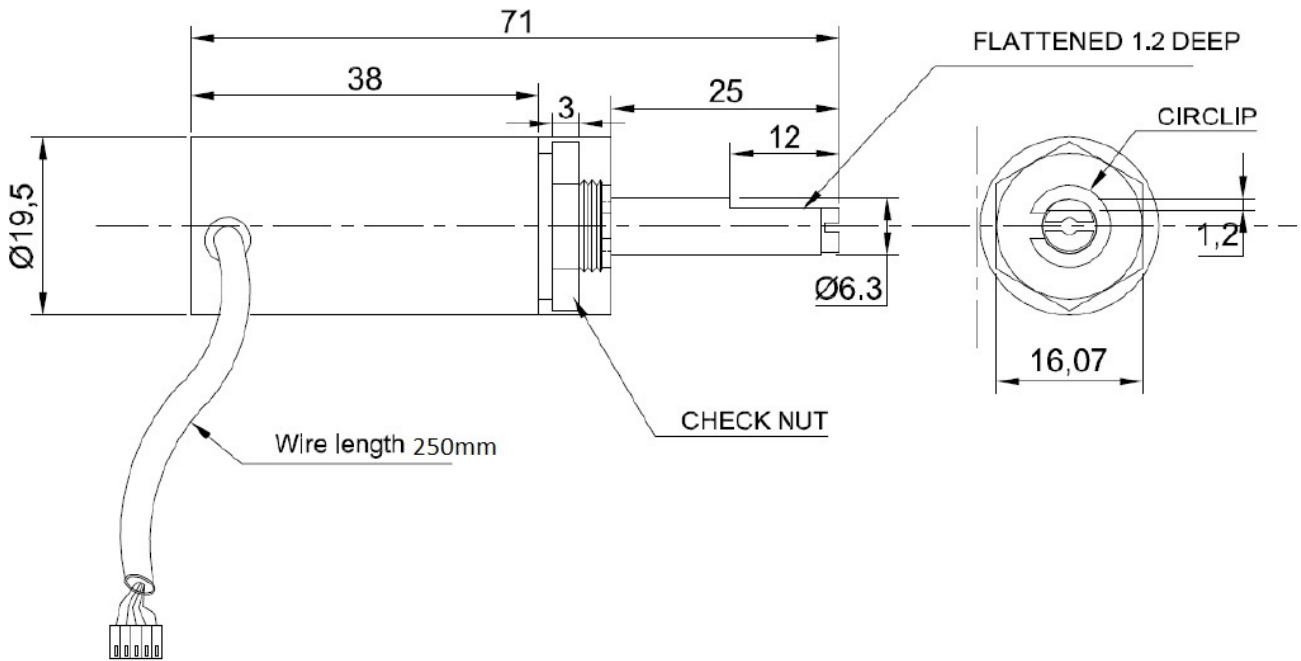
MECHANICAL DIMENSIONS

**All dimensions are in mm

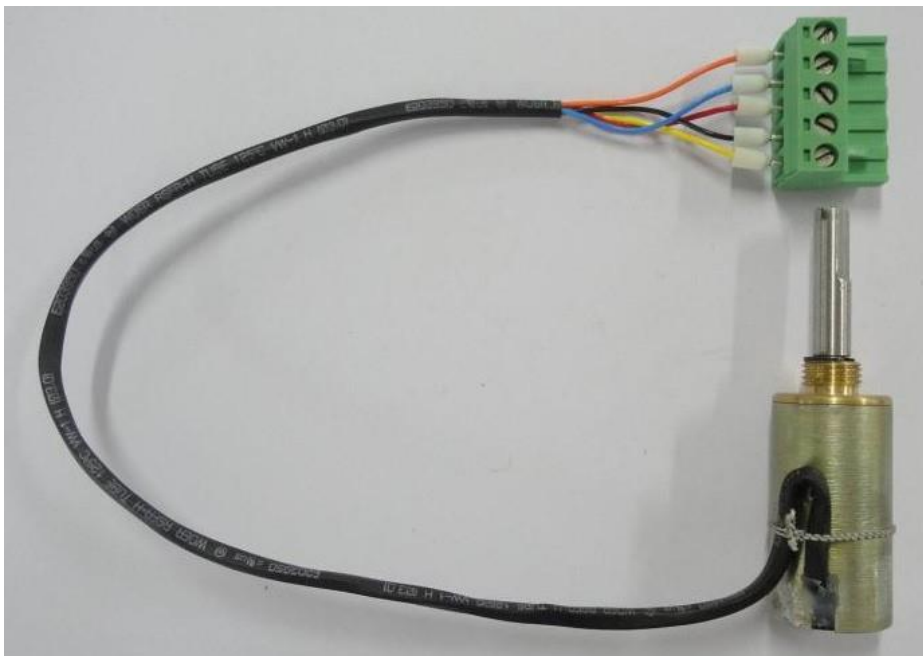


SENSOR, RMG-HSVGR-2018

DIMENSIONAL DRAWING



IMAGE

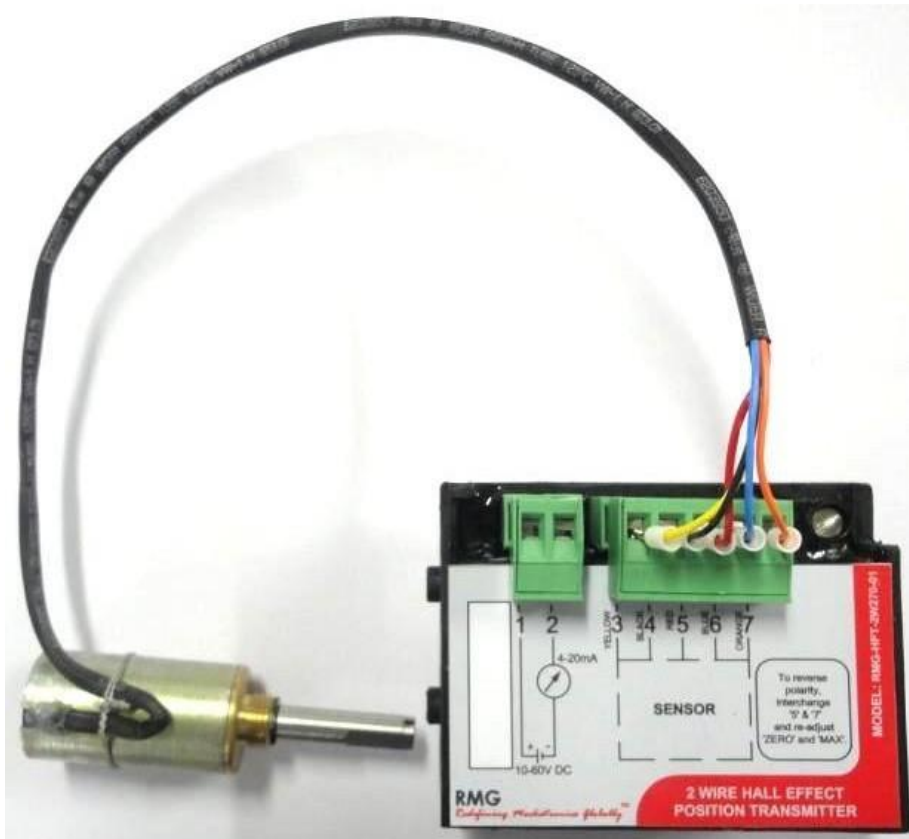
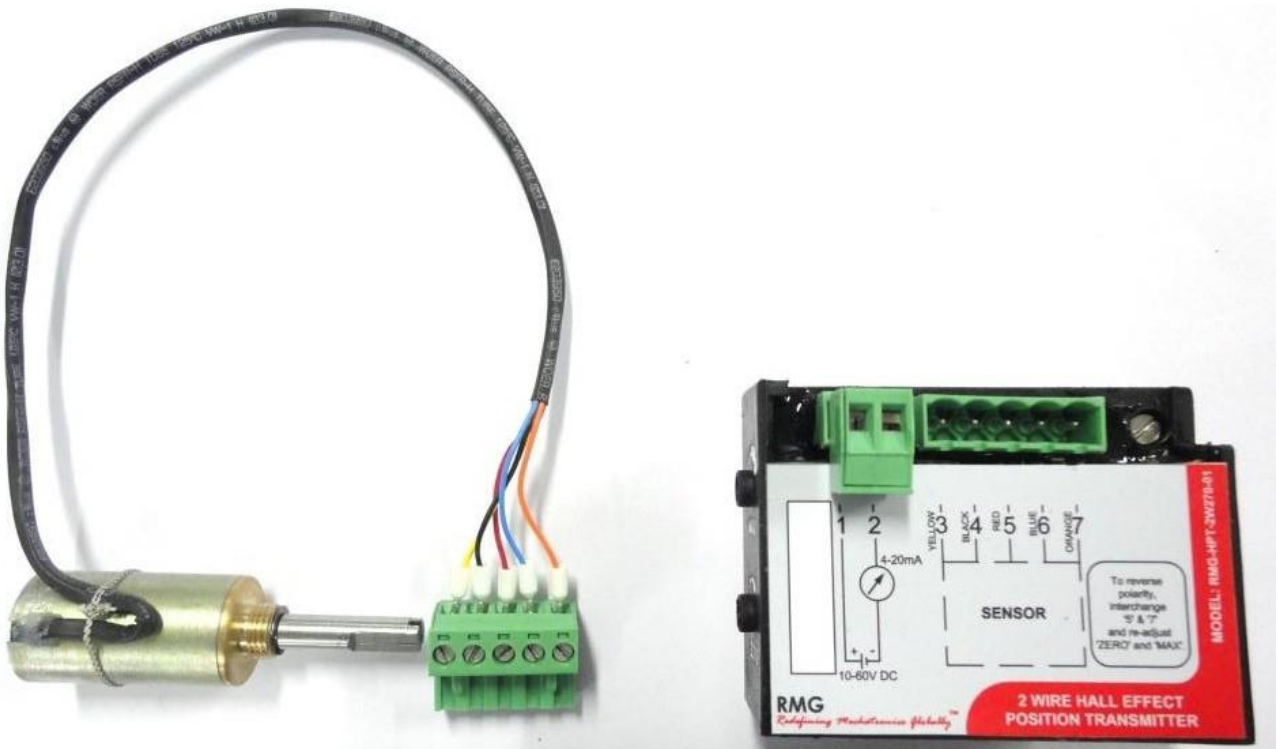


Corporate Office and Works: RMG Electromech Pvt Ltd, No. 41&42, SMR Layout, 2nd Main, 1st Cross,
Kereguddadahalli, Chikkabanavara P.O, Bangalore-560090. Tel: +91-80-23253325/26/27, Mob: +91-9341216734
email:marketing@rmgpl.com, web: www.rmgpl.com

An ISO 9001:2015 Certified Company...OEM Supplier to MNCs since 1990

OPERATION

The Sensor, **RMG-HSVGR-2018** & the Position Transmitter, **RMG-HPT-2W270-01** would jointly work together to produce a linear output of 4.00-20.00mA current, against the shaft movement of Sensor.



Corporate Office and Works: RMG Electromech Pvt Ltd, No. 41&42, SMR Layout, 2nd Main, 1st Cross, Kereguddadahalli, Chikkabanavara P.O, Bangalore-560090. Tel: +91-80-23253325/26/27, Mob: +91-9341216734
email:marketing@rmgpl.com, web: www.rmgpl.com

An ISO 9001:2015 Certified Company...OEM Supplier to MNCs since 1990