

**2WIRE NON CONTACT
POSITION TRANSMITTER
WITH BUILT-IN LIMIT SWITCH**

MODEL: RMG-HPT2W-LS-HD



DESCRIPTION

RMG-HPT-2W-LS-HD is a Loop powered 2Wire Position Feedback Transmitter with a built-in Limit Switch, widely used to transmit the position of a Control Valve / Power Cylinder / Electric Actuator in a variety of process control applications.

This unique incorporation of a Position Feedback Transmitter and a rugged Limit Switch with 2 numbers of 10Amps contact rating micro switches makes it an excellent choice where space is critical and the inter wiring even more challenging.

This Instrument complies with (IP 67) Ingress Protection requirements as per the relevant IS/IEC standards.

SALIENT FEATURES

- Non-contact, Hall sensor for Position Transmitter.
- Embedded Design using Micro Controller.
- Accepts a wide supply voltage range.
- User friendly for installation and calibration.
- Wide operating temperature range.
- Minimal effect of ambient temperature variance on accuracy.
- Compact in size as compared to other Position Transmitter with built-in Limit switch available in the market.
- High accuracy.
- High Isolation and Dielectric strength.
- Suitable for both Rotary and Linear motion.
- Die-cast Aluminum enclosure capable of with-standing high hydro static pressure.

APPLICATION

- All applications, where the end limits of a running system needs to be monitored.
- Process automation environment.
- Custom applications.



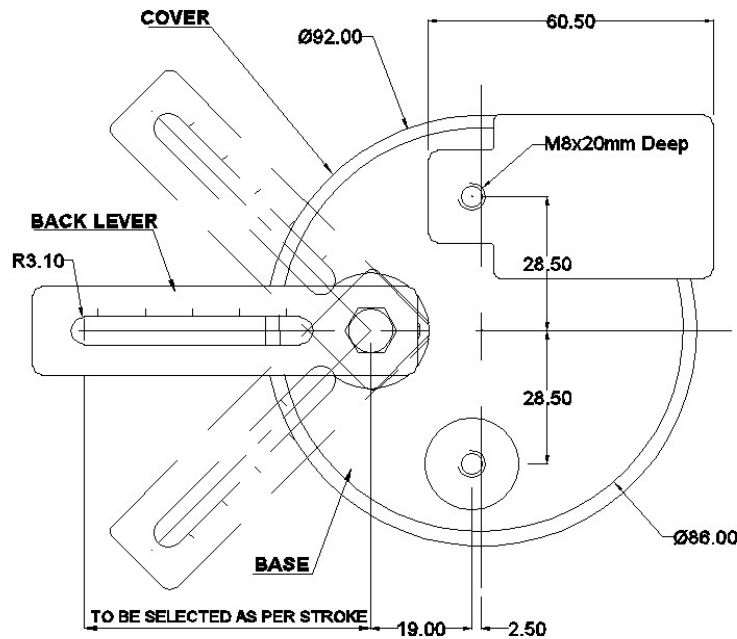
Open view with accessories



SPECIFICATIONS
MODEL: RMG-HPT2W-LS-HD

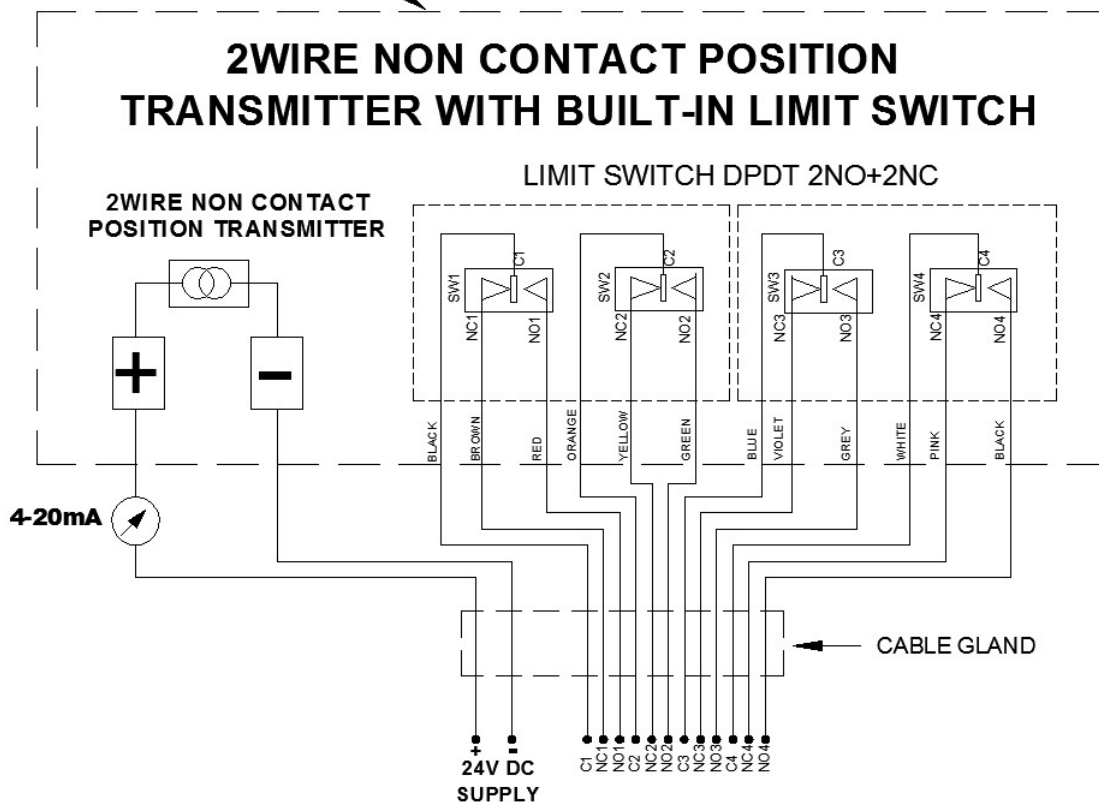
Sl. No.	Characteristics	Specified Value
1	Operating Angle – Rotary Linear	2°- 358° Min. 0 °- 30°, Max. 0 °- 240°.
2	Output	4.00 to 20.00mA
3	Input Supply Voltage Range for Position Transmitter	10V DC to 60V DC
4	Influence of Input Supply Voltage	≤0.2% of span
5	Type of Transmitter	Two Wire, Loop Powered
6	Type of Sensor	Hall Effect Sensor, non-contact.
7	Load Impedance	700 Ω at 24V DC.
8	Operating Temperature Range	-20°C to +80°C.
9	Effect of Temperature	≤0.1% / 10°C.
10	Built-in error corrections incorporated using Micro Controller	Manual Mode
11	ZERO & SPAN Setting [Software Assisted]	Through Push button switches.
12	Forward & Reverse Selection	Through Dip switches.
13	Linearity Error	≤ 0.5% of span
14	Hysteresis Error	≤ 0.5% of span
15	Midpoint Linearity Adjustment [Software Assisted]	Maximum of 15 points.
16	CAM based No. of Micro Switches Used	02 Nos
17	Micro Switch model	DPDT [2NO + 2NC]
18	No. of position can be set	OPEN and CLOSE.
19	Switch Rating	10A, 125/250VAC
20	Type tests qualified for Enclosure protection (Safety and Sealing)	Complies with IP 67 requirements of IS/IEC 60529-2001
21	Built in Protection	a) Isolation at 500VDC ≥500 MΩ. b) Dielectric strength ≥1.5KV rms for 1 minute. c) Reverse Polarity protected. d) Enclosure withstands hydrostatic pressure up to 10Kg/cm ² for 1 minute.
22	Cable entry	In/out connections through 14pin box mounting receptacle reverse Bayonet male & female connector.
23	Size	Ø92mm, Height – 170mm.
24	Weight	<1.6 Kg approx.
25	Enclosure& finish	Aluminum (LM6) gravity die-cast; MRF PU based air dry paint.
26	Accessories	Back Lever with mounting fasteners for either Linear or Rotary movements.

Mounting details with dimensions



Wiring Diagram - MODEL: RMG-HPT2W-LS-HD

Enclosure with IP 67 certification



- Due to continuous product improvement initiatives, specification is subject to change.
- The images provided are for indicative purposes only. The accessories shown are part of standard supply.
- In addition, we design and manufacture Position Feedback Transmitters as per customer requirements / specifications